



Description: Modular direct emission LED system, composed of an extruded aluminum profile, which can be used both individually and in a continuous row to create cuts of light without interruptions. Thanks to the complete range of accessories, it constitutes a versatile and easy-to-install system: available in the ceiling-mounted versions with ABS spacers h.10mm supplied, suspension and wall fixing using accessories to be ordered separately.

Body: 6060 T5 alloy aluminum profile, painted in "dry" white color with thermosetting epoxy powders at 180 ° C, after degreasing, phosphating and washing treatment. Other colors according to the RAL range are available on request. Supplied without heads and installation accessories (to be ordered separately).

Optical group: PMO optic in microprismatic polycarbonate, UV protected. Glossy white flow recuperator. Controlled light emission optics with luminance values <math><3000 \text{ cd} / \text{m}^2</math> for emission angles above 65 ° on all planes (UGR <math><19</math>) and therefore compliant to be installed in environments with the use of video terminals according to UNI EN 12464- 1.

Glow-wire test 850 ° C.
Protection degree IP42.

Wiring: power supply 220-240V 50 / 60Hz with rigid cable, sect. 0.50 mm² and PVC-HT sheath resistant to 90 ° C according to CEI 20-20 standards. Terminal block with maximum allowed cable section 2.5 mm². Insulation class I. Suitable for installation on normally flammable surfaces.

- LED version with electronic driver with fixed output (ON / OFF), included.
 - DALI LED version with standard DALI digital dimmable electronic driver, included.
- Versions with emergency kit (1/3 hours of autonomy) are available on request.

Luminous source: High efficiency LEDs arranged on rigid modules, color rendering CRI> 80 (CRI> 90 available on request), color temperature 3000K and 4000K (selected LED diode 3 MacAdam ellipses in order to guarantee uniform chromaticity).

LED TUNABLE WHITE 2700-6500K versions available on request.

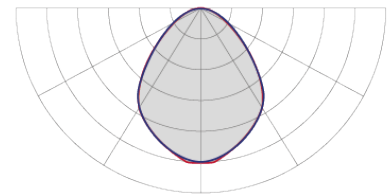
Life of the sources in normal conditions: over 50,000 hours L80 / B10 at Ta = 25 ° C.

Regulations: appliance complies with the following standards:

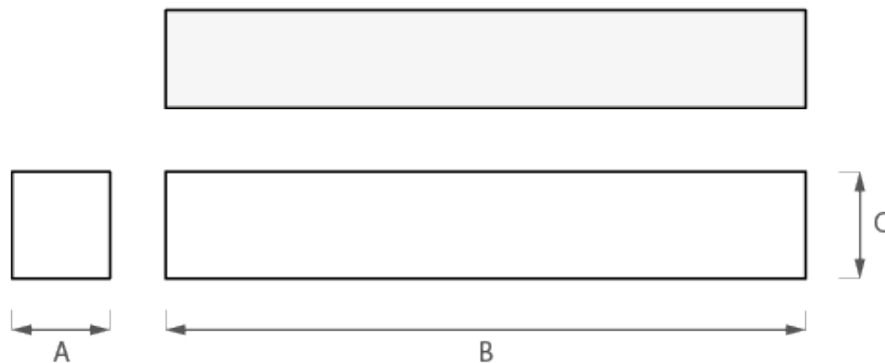
- | | | |
|-----------------|------------------|---------------------------|
| • EN 61547 | • IEC/TR 62471-2 | • EN 60598-2-2 |
| • EN 55015 | • EN 60061-1 | • EN 62471 (risk class 0) |
| • EN 61000-3-2 | • EN 62031 | • EN 62560 |
| • EN 61000-3-3 | • EN 62493 | • EN 60968 |
| • EN 61347-1 | • EN 60598-1 | • CEI 76-10 |
| • EN 61347-2-13 | • EN 60598-2-1 | • EN 60529 |



Demonstration image



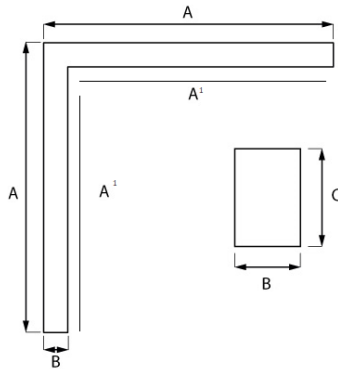
Photometric curve





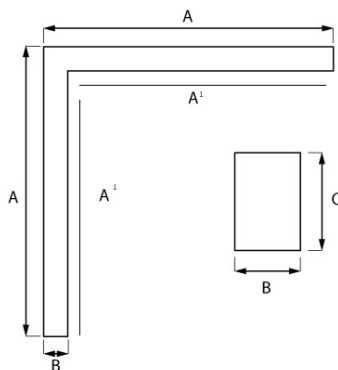
Linear modules

Power [W]	Color temperature [K]	CRI	Effective flux [lm] *	Efficiency [lm/W]	Energetic class	Dimensions [mm]			Code / Wiring	
						A*	B	C	LED	LED DALI
13	3000	>80	1261	97	A++	561	86	94	760100329	760100330
13	4000	>80	1365	105	A++	561	86	94	760100333	760100334
26	3000	>80	2522	97	A++	1121	86	94	760100345	760100346
26	4000	>80	2730	105	A++	1121	86	94	760100349	760100350
39	3000	>80	3783	97	A++	1681	86	94	760100361	760100362
39	4000	>80	4095	105	A++	1681	86	94	760100365	760100366
52	3000	>80	5044	97	A++	2241	86	94	760100377	760100378
52	4000	>80	5460	105	A++	2241	86	94	760100381	760100382
65	3000	>80	6305	97	A++	2801	86	94	760100393	760100394
65	4000	>80	6825	105	A++	2801	86	94	760100397	760100398



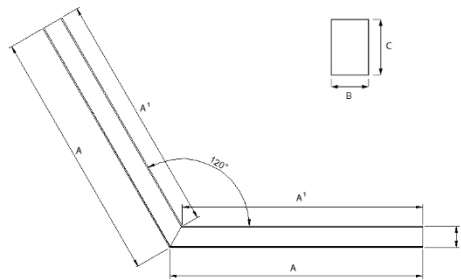
Ceiling corner modules (90°)

Power [W]	Color temperature [K]	CRI	Effective flux [lm] *	Efficiency [lm/W]	Energetic class	Dimensions [mm]				Code / Wiring	
						A*	A ^{1*}	B	C	LED	LED DALI
26	3000	>80	2522	97	A++	620	534	86	94	760100552	760100554
26	4000	>80	2730	105	A++	620	534	86	94	760100553	760100555



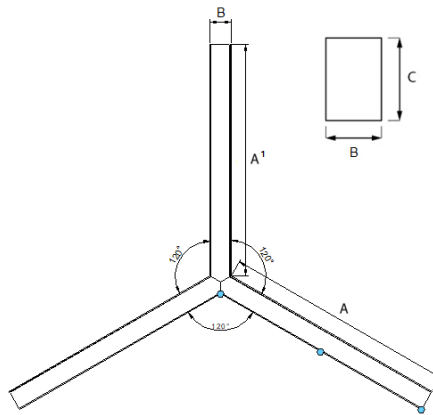
Wall / ceiling corner modules (90°)

Power [W]	Color temperature [K]	CRI	Effective flux [lm] *	Efficiency [lm/W]	Energetic class	Dimensions [mm]				Code / Wiring	
						A*	A ^{1*}	B	C	LED	LED DALI
26	3000	>80	2522	97	A++	650	556	86	94	760100560	760100562
26	4000	>80	2730	105	A++	650	556	86	94	760100561	760100563



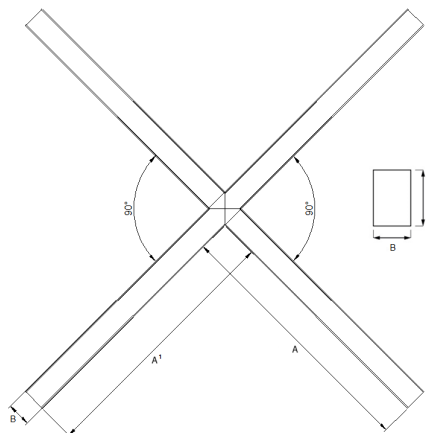
Corner modules (120°)

Power [W]	Color temperature [K]	CRI	Effective flux [lm] *	Efficiency [lm/W]	Energetic class	Dimensions [mm]				Code / Wiring	
						A*	A1*	B	C	LED	LED DALI
26	3000	>80	2522	97	A++	595	545	86	94	760100564	760100566
26	4000	>80	2730	105	A++	595	545	86	94	760100565	760100567



Y Geometry

Power [W]	Color temperature [K]	CRI	Effective flux [lm] *	Efficiency [lm/W]	Energetic class	Dimensions [mm]				Code / Wiring	
						A*	A1*	B	C	LED	LED DALI
39	3000	>80	3783	97	A++	545	545	86	94	760100576	760100578
39	4000	>80	4095	105	A++	545	545	86	94	760100577	760100579



X Geometry

Power [W]	Color temperature [K]	CRI	Effective flux [lm] *	Efficiency [lm/W]	Energetic class	Dimensions [mm]				Code / Wiring	
						A*	A1*	B	C	LED	LED DALI
52	3000	>80	5044	97	A++	530	530	86	94	760100580	760100582



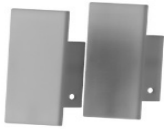
52	4000	>80	5460	105	A++	530	530	86	94	760100581	760100583
----	------	-----	------	-----	-----	-----	-----	----	----	-----------	-----------

* Dimensions excluding the heads (3mm thick each) at the beginning and end of the row.

** Actual flow may have a tolerance of ± 10%

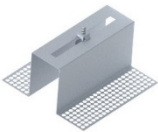
*** The product is supplied as standard without end caps, to be ordered separately.

INSTALLATION ACCESSORIES



COD. TC760004

End caps in aluminum painted in DRY WHITE color.
2-piece kit.



COD. KFC760100

Bracket for installation on plasterboard.
Material galvanized steel sheet.
Including fixing screws.
3-piece kit.



COD. KPR760004

90 ° wall fixing bracket.
Material galvanized steel sheet painted DRY WHITE.
Including fixing screws.
2-piece kit.



COD. KP4760004

45 ° wall fixing bracket.
Material galvanized steel sheet painted DRY WHITE.
Including fixing screws.
2-piece kit.



COD. KFS760000

Union bracket for installation in a continuous line, made of galvanized steel.
Fixing screws supplied.



COD. KS013

Suspension cable L = 2000mm
To be provided 2 pcs for each lamp.



COD. CVT~~x~~X075L020

Transparent power cable. L = 2000m Ø 0,75mmq
Cable available with 3-5-7 poles related to the selected wiring configuration.
Change the red ~~x~~ to the required number of poles.



COD. KS02504E

Electrified square canopy with 2 holes for the passage of the power supply and suspension cable, with connection terminal board. Painted in DRY WHITE color.